

# State of Wyoming Corner Record



(In compliance with the CORNER PERPETUATION AND FILING ACT, Wyoming Statutes, 2013 Section 33-29-901 through 33-29-910, and the Rules and Regulations of the Board of Professional Engineers and Professional Land Surveyors)

Reverse side of this form may be used if more space is needed.

Record of original survey and citation of source of historical information (if corner is lost or obliterated). Description of corner monumentation evidence found and/or monument and accessories established to perpetuate the location of this corner. Sketch of relative location of monument, accessories, and reference points with course and distance to adjacent corner(s) (if determined in this survey). Method and rationale for reestablishment of lost or obliterated corner.

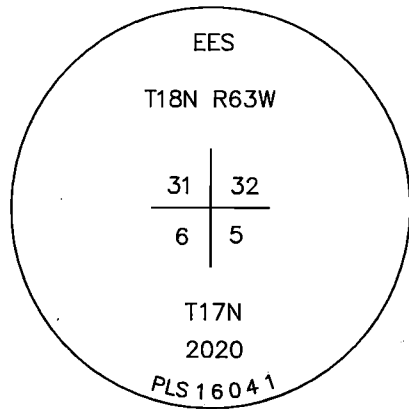
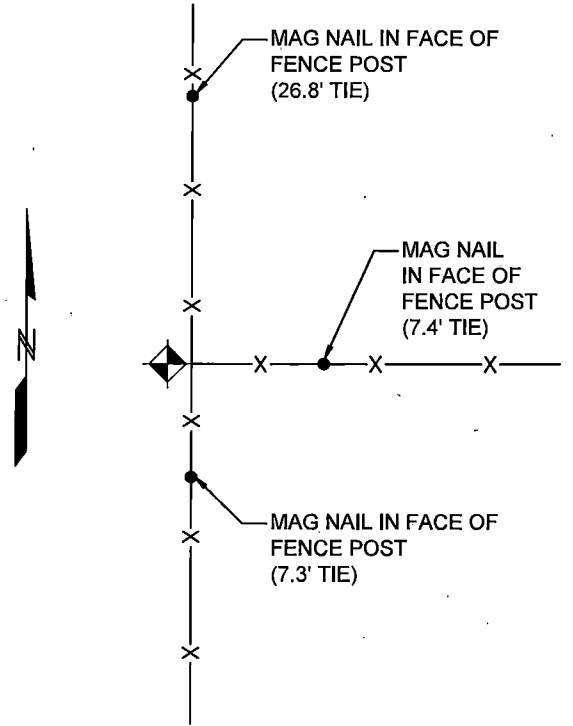
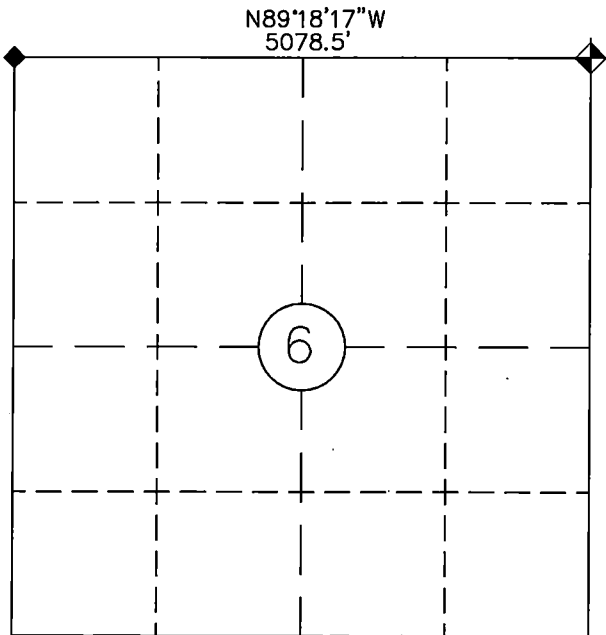
FOUND: #5 REBAR. ATTACHED 2 1/2" ALUM CAP "PLS 16041". (SEE SKETCH OF CAP)

## Legend

-  MONUMENT FOR THIS CORNER RECORD
-  2 1/2" ALUM CAP #16041

BEARINGS FROM GPS GRID NAD83 WY EAST  
DISTANCES ARE GPS GRID CSF:

## Monument location



Date of Field Work: FEBRUARY, 2020 Office Reference: JOB NO. 61927

## Cross Index Plat

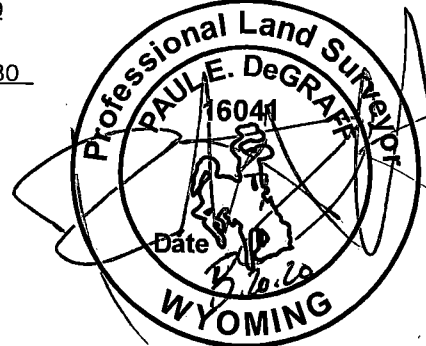
	1	2	3	4	5	6	7	8	9	10	11	12	13	14	15	16	17	18	19	20	21	22	23	24	25
A	+	+	+	+	+	+	+	+	+	+	+	+	+	+	+	+	+	+	+	+	+	+	+	+	+
B	+	6	+	+	5	+	+	+	4	+	+	+	3	+	+	+	2	+	+	+	1	+	+	+	+
C	+	+	+	+	+	+	+	+	+	+	+	+	+	+	+	+	+	+	+	+	+	+	+	+	+
D	+	+	+	+	+	+	+	+	+	+	+	+	+	+	+	+	+	+	+	+	+	+	+	+	+
E	+	+	+	+	+	+	+	+	+	+	+	+	+	+	+	+	+	+	+	+	+	+	+	+	+
F	+	+	+	+	+	+	+	+	+	+	+	+	+	+	+	+	+	+	+	+	+	+	+	+	+
G	+	7	+	+	8	+	+	+	9	+	+	+	10	+	+	+	11	+	+	+	12	+	+	+	+
H	+	+	+	+	+	+	+	+	+	+	+	+	+	+	+	+	+	+	+	+	+	+	+	+	+
J	+	+	+	+	+	+	+	+	+	+	+	+	+	+	+	+	+	+	+	+	+	+	+	+	+
K	+	+	+	+	+	+	+	+	+	+	+	+	+	+	+	+	+	+	+	+	+	+	+	+	+
L	+	18	+	+	17	+	+	+	16	+	+	+	15	+	+	+	14	+	+	+	13	+	+	+	+
M	+	+	+	+	+	+	+	+	+	+	+	+	+	+	+	+	+	+	+	+	+	+	+	+	+
N	+	+	+	+	+	+	+	+	+	+	+	+	+	+	+	+	+	+	+	+	+	+	+	+	+
O	+	+	+	+	+	+	+	+	+	+	+	+	+	+	+	+	+	+	+	+	+	+	+	+	+
P	+	19	+	+	20	+	+	+	21	+	+	+	22	+	+	+	23	+	+	+	24	+	+	+	+
Q	+	+	+	+	+	+	+	+	+	+	+	+	+	+	+	+	+	+	+	+	+	+	+	+	+
R	+	+	+	+	+	+	+	+	+	+	+	+	+	+	+	+	+	+	+	+	+	+	+	+	+
S	+	+	+	+	+	+	+	+	+	+	+	+	+	+	+	+	+	+	+	+	+	+	+	+	+
T	+	30	+	+	29	+	+	+	28	+	+	+	27	+	+	+	26	+	+	+	25	+	+	+	+
U	+	+	+	+	+	+	+	+	+	+	+	+	+	+	+	+	+	+	+	+	+	+	+	+	+
V	+	+	+	+	+	+	+	+	+	+	+	+	+	+	+	+	+	+	+	+	+	+	+	+	+
W	+	+	+	+	+	+	+	+	+	+	+	+	+	+	+	+	+	+	+	+	+	+	+	+	+
X	+	31	+	+	32	+	+	+	33	+	+	+	34	+	+	+	35	+	+	+	36	+	+	+	+
Y	+	+	+	+	+	+	+	+	+	+	+	+	+	+	+	+	+	+	+	+	+	+	+	+	+
Z	+	+	+	+	+	+	+	+	+	+	+	+	+	+	+	+	+	+	+	+	+	+	+	+	+

Firm/Agency, Address

Paul E. DeGraff  
Encompass Energy Services  
10901 W. 120th Ave., #400  
Broomfield, CO 80021  
 Telephone: (303) 995-6080

This corner record was prepared by me or under my direction and supervision.

SEAL & SIGNATURE



REC #: 802571  
 RECORDED 2/22/2021 AT 9:59 AM BK# 2720 PG# 1775  
 Debra K. Lee, CLERK OF LARAMIE COUNTY, WY PAGE 1 OF 1

Corner Name NE Corner Section 6, T 17 N, R 63 W, 6th P.M.

Index No.: A-5